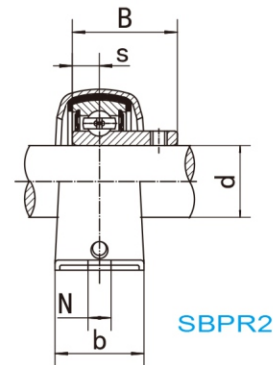
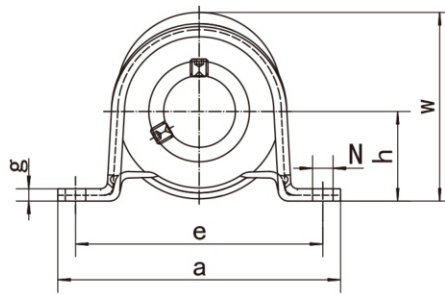
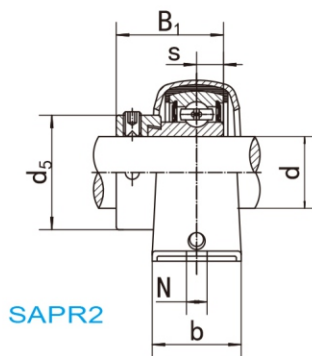


SAPR2
(SA2-Fitted)

Rubber Mounted Units
(Light duty)

SBPR2
(SB2-Fitted)



Unit NO.	Dimensions (mm / in.)											Bolt Size mm/in.	Bearing No.	Housing No.	Rubber Ring NO.	Weight (kg)
	d	h	a	e	b	N	g	w	B ₁	s	d ₅					
SAPR 201 201-8	12 1/2	25.4	98	76	32	9.5	3.2	50.5	28.6	6.5	28.6	M8	SA201 SA201-8	PP204	R-4	0.17
SAPR 202 202-10	15 5/8	1	3-55/64	2-63/64	1-17/64	3/8	1/8	1-63/64	1.1260	0.256	1-1/8	5/8	SA202 SA202-10			
SAPR 203 203-11	17 11/16												SA203 SA203-11			
SAPR 204 204-12	20 3/4	28.6 1-1/8	108 4-1/4	86 3-25/64	32 1-17/64	11.5 29/64	4.0 5/32	56.6 2-15/64	31.0 1.2205	7.5 0.295	33.3 1-5/16	M10 3/8	SA204 SA204-12	PP205	R-5	0.24
SAPR 205 205-14 205-15 205-16	25 7/8 15/16 1	33.3 1-5/16	117 4-39/64	95 3-47/64	38 1-1/2	11.5 29/64	4.0 5/32	66.3 2-39/64	31.0 1.2205	7.5 0.295	38.1 1-1/2	M10 3/8	SA205 SA205-14 SA205-15 SA205-16	PP206	R-6	0.35
SAPR 206 206-17 206-18 206-19 206-20	30 1-1/16 1-1/8 1-3/16 1-1/4	39.7 1-9/16	129 5-5/64	106 4-11/64	42 1-21/32	11.5 29/64	4.6 3/16	78.0 3-5/64	35.7 1.4055	9.0 0.354	44.5 1-3/4	M10 3/8	SA206 SA206-17 SA206-18 SA206-19 SA206-20	PP207	R-7	0.48

Unit NO.	Dimensions (mm / in.)											Bolt Size mm/in.	Bearing No.	Housing No.	Rubber Ring NO.	Weight (kg)
	d	h	a	e	b	N	g	w	B	s						
SBPR 201 201-8	12 1/2	25.4	98	76	32	9.5	3.2	50.5	22.0	6.0		M8	SB201 SB201-8	PP204	R-4	0.17
SBPR 202 202-10	15 5/8	1	3-55/64	2-63/64	1-17/64	3/8	1/8	1-63/64	0.8661	0.2362		5/8	SB202 SB202-10			
SBPR 203 203-11	17 11/16												SB203 SB203-11			
SBPR 204 204-12	20 3/4	28.6 1-1/8	108 4-1/4	86 3-25/64	32 1-17/64	11.5 29/64	4.0 5/32	56.6 2-15/64	25.0 0.9843	7.0 0.2756		M10 3/8	SB204 SB204-12	PP205	R-5	0.24
SBPR 205 205-14 205-15 205-16	25 7/8 15/16 1	33.3 1-5/16	117 4-39/64	95 3-47/64	38 1-1/2	11.5 29/64	4.0 5/32	66.3 2-39/64	27.0 1.0630	7.5 0.295		M10 3/8	SB205 SB205-14 SB205-15 SB205-16	PP206	R-6	0.35
SBPR 206 206-17 206-18 206-19 206-20	30 1-1/16 1-1/8 1-3/16 1-1/4	39.7 1-9/16	129 5-5/64	106 4-11/64	42 1-21/32	11.5 29/64	4.6 3/16	78.0 3-5/64	30.0 1.1811	8.0 0.3150		M10 3/8	SB206 SB206-17 SB206-18 SB206-19 SB206-20	PP207	R-7	0.48

Note: "Snap-together" housings available upon request-add "ST" suffix.